

BEFORE YOU BEGIN

- Please read these instructions carefully to familiarize yourself with the required tools, materials, and installation sequences. Follow the sections that pertain to your particular installation. This will help you avoid costly mistakes. In addition to proper installation, read all operating and safety instructions.
- All information in these instructions is based upon the latest product information available at the time of publication. Kohler China reserves the right to make changes in product characteristics, packaging, or availability at any time without notice.
- These instructions contain important care, cleaning, and warranty information-**please leave instructions for the consumer.**
- Ming wood apron adopts E1 grade natural black walnut wood-based panel of high quality. With further processing, its harmful emission is less than 1.5mg/L.
- The plumbing installation must comply with Water Supply Regulations/Bye-laws, Building Regulations or any particular regulations and practices, specified by the local water company or water undertakers. The installation should be carried out by a plumber.
- Before installation carefully inspect the new fixture for any signs of damage.
- This product complies with GB 24977-2010.
- This product complies with QB/T 2664-2004.

安装之前

- 请仔细阅读本指引，以便熟悉所需工具、材料及安装程序。请遵照适用的章节来安装本产品，以免安装失当导致不必要的损失。除了有关正确的安装方法之外，还务请详阅所有操作及安全指引。
- 本指引所载之一切资料，均以印刷时所有之最新产品情况为基础，科勒中国保留权利随时更改产品特性、包装或供应情况，恕不另行通知。
- 本指引也包含了有关保养、清洁及担保等重要资料-请交予用户保存。
- 明仕木裙板选用E1级优质人造板贴天然黑胡桃木皮精心加工而成，其有害气体释放量少于1.5mg/L。
- 管道安装必须遵循当地所有给排水、建筑或者其他的特别规定。管道安装人员必须具备相应资格。
- 安装之前，仔细检查新产品是否有损伤。
- 本产品符合GB 24977-2010。
- 本产品符合QB/T 2664-2004。

SAFETY WARNINGS

Kohler products are precision-engineered and should give continued superior and safe performance, provided:

1. They are installed, commissioned, operated and maintained in accordance with the recommendations given in this Manual.
2. Periodic attention is given, as necessary, to maintain the product in good functional order. Recommended guidelines are given in the **MAINTENANCE** section.

Carefully inspect the new fixture for any signs of damage.

When installing Kohler Products, manufacturers guidelines for power tool safety should be followed.

安全警告

科勒产品经过精确制造，性能卓越，经久耐用。为保证产品品质，您必须：

1. 按照此手册中推荐的方法进行安装、起动、操作及维护。
2. 如有需要，定期检查，令产品保持良好性能状态。日常维护章节中列有推荐方法。

仔细检查新产品是否有损伤。

在安装科勒产品时，必须遵循制造商相关电动工具的安全的指令。

SHANGHAI KOHLER LTD., NO.368, MIN LE ROAD,
FENG XIAN DISTRICT, SHANGHAI, CHINA POST CODE 201419
上海科勒有限公司 上海市奉贤区民乐路368号 邮编：201419

INSTALLATION

安装

A. Bath drain installation

Refer to bath drain installation manual.

A. 安装浴缸落水器组件

参考落水器安装说明。

B. Adjustable Feet installation

- Do not allow the bath to scrape the floor during installation, or you could damage the enamel.
- Check for level along the top of the side of the bath and across the drain end.
- Do not seal legs to the floor.
 1. Keep bath up side down, fix the adjustable feet on the bath, and tightened nut as shown in Fig.2.
 2. Turn the adjustable feet, keep the height to 570mm.
 3. Adjust all the feet one by one, and keep all the feet on the same level.
 4. Tighten the nut as shown in Fig.2.
 5. Double confirm all the feet are on the same level, turn the bath to upright, confirm the bath is horizontal.

B. 安装浴缸调整脚

- 安装时, 不得将浴缸和地面摩擦, 否则可能破坏搪瓷表面。
- 确保浴缸水平放置, 并且所有重量都均匀地承载在支脚上。
- 不要在浴缸调整脚和地面之间只用任何胶黏剂。
 1. 将浴缸倒置, 如图2所示将调整脚安装在浴缸上, 拧紧M8螺母。
 2. 旋转调整脚, 使得调整脚距离地面570mm。
 3. 同样方法依次调整所有的调整脚, 并保持所有调整脚在同一平面上。
 4. 如图2所示拧紧M12螺母。
 5. 确认4个调整脚在同一平面后, 将浴缸翻转至正常使用状态, 再次确认4个调整脚全部落地, 且浴缸能平稳放置。

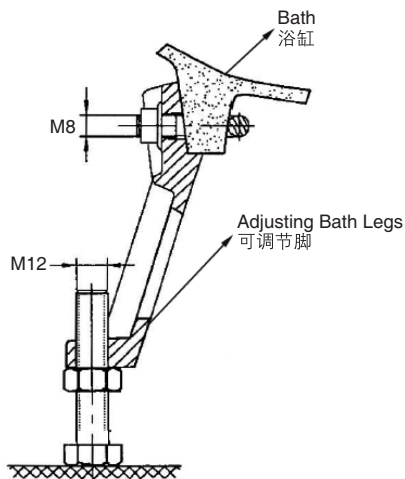


Fig.1
图1

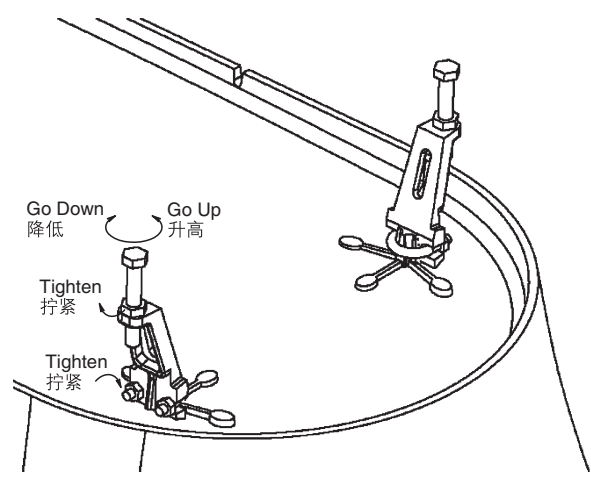


Fig.2
图2

C. Wood apron installation

- Take the wood apron out of carton and place it at a desired position in the bathroom.
- Turn the adjustable feet under the wood apron, keep the wood apron to the lowest height.

C. 安装木裙板

- 将木裙板从包装箱中抬出, 放在浴室合适的位置。
- 旋转木裙板4个调整脚, 将木裙板高度调整到最低。

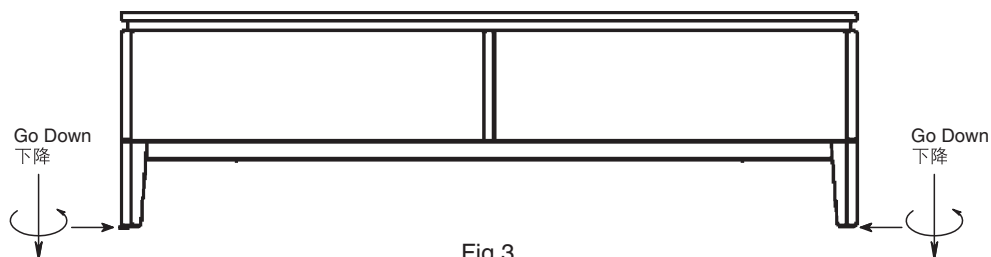


Fig.3
图3

D. Bathtub installation

- Do not allow the bath to scrape the wood apron during installation, or you could damage the wood apron.
- Suggest to use belt to move/raise the bathtub.
- 1. Raise the bathtub with drain and adjustable feet up, and move into the wood apron with 4-6 operators together.

D. 安装浴缸

- 安装过程中，不得将浴缸任何位置放置/碰撞在木裙板的表面，否则可能损坏木裙板。
- 建议使用承重编织带搬运，安装浴缸。
- 1. 4~6人协同操作，将已经安装好调整脚和落水器组件的浴缸抬入木裙板。

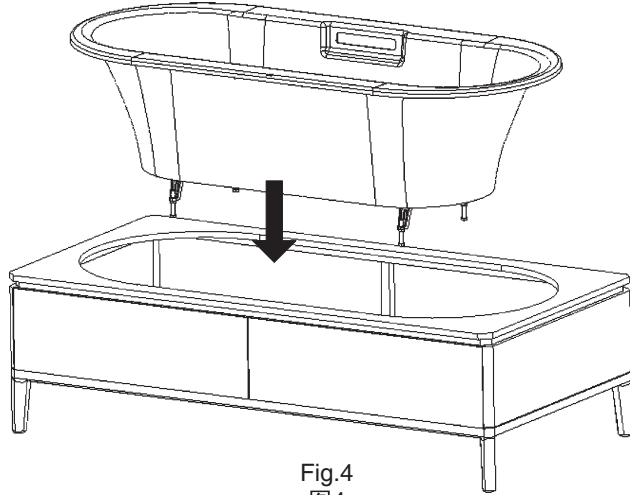


Fig.4
图4

E. Adjustment

- Move the wood apron, adjust the position of the bath and wood apron as Fig.5.

E. 外观调整

- 移动木裙板，使得浴缸边缘和木裙板边缘如图5尺寸所示。

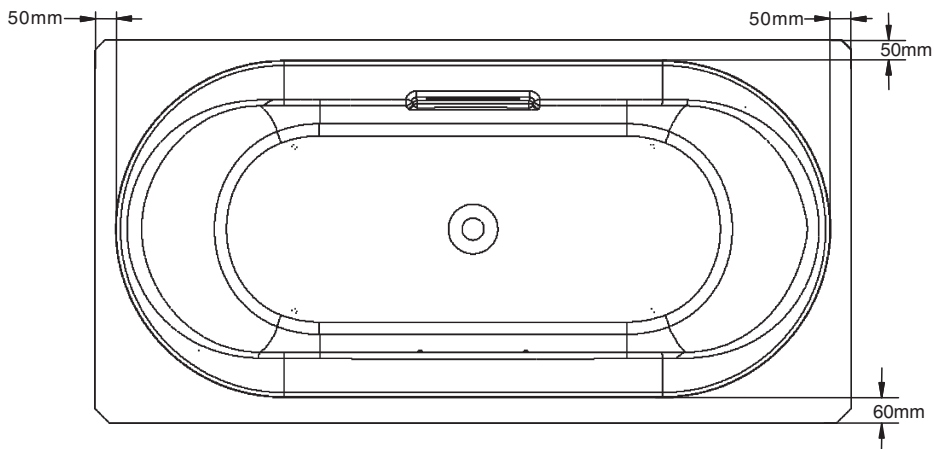


Fig.5
图5

- Turn the adjustable feet of wood apron, raise the wood apron up, and keep 3mm gap between wood apron desk and rim of the bathtub, as shown in Fig.6.

- 旋转木裙板调整脚，抬升木裙板，并保持木裙板上沿和浴缸边缘下沿不接触且至少3mm以上的间隙，如图6。

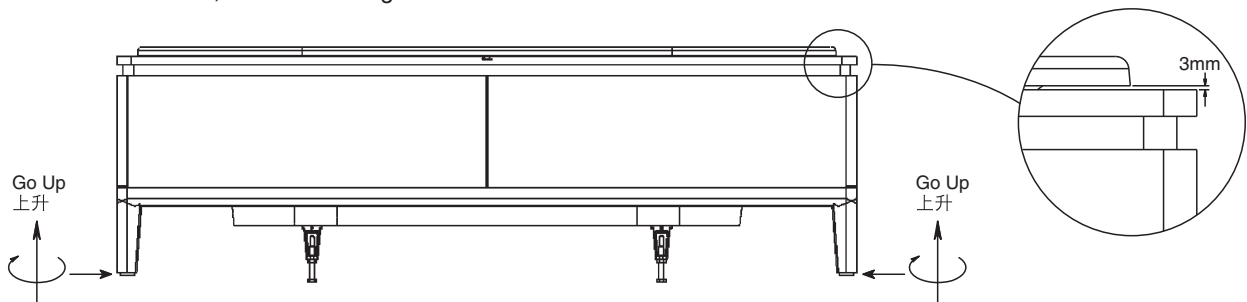


Fig.6
图6

- Double confirm the appearance after adjustment, stick the silicon sheet under the adjustable feet of wood apron to prevent moving.
- Sealing the gap between wood apron desk and rim of the bathtub with silicon.
- 在确认外观可行后，将4个硅胶软垫分别粘贴在木裙板4个调整脚下方，以防止木裙板受外力作用而移动。
- 在木裙板上沿和浴缸边缘下沿的缝隙中，使用硅胶密封处理。

F. Float base installation

- Do not allow the float base to scrape the bath or the wood apron during installation, or you could damage the bath and wood apron.
 1. Insert the drain pipe into the floor, and seal with silicon.
 2. Put the float base on the floor and move together as shown in Fig 7.

F. 安装浴缸底座

- 安装过程中，不得将底座放置在浴缸或者木裙板表面，否则可能损坏浴缸搪瓷表面和木裙板表面。
 1. 将落水器的排水尾管插入地面的排水口，并硅胶密封。
 2. 如下图所示，将前后两个底座从浴缸的前后分别向中间合拢。

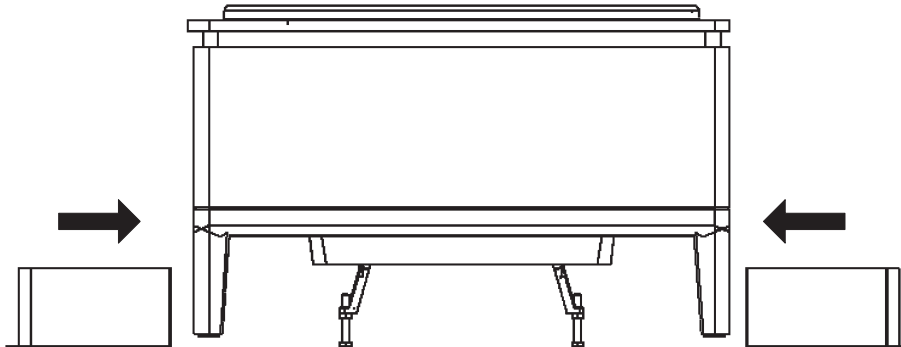


Fig.7
图7

G. Towel ring installation

- Identify all components and check for completeness, particularly before arranging fitting.
- Loosen off set screw(DO NOT REMOVE OUT), and take out the mountain plate.
- Put the silicon on the back of mountain plate, and fix on the wood apron with screw.
- Install the towel ring base on the mountain plate, and tighten the set screw.
- Install the ring on the towel ring base.

G. 安装毛巾环

- 检查毛巾环所有零配件全部齐全，包含底座，螺钉，毛巾环基座，紧顶螺钉，塑料盖和毛巾环。
- 拧松紧顶螺钉，将底座从毛巾环基座中取出。
- 将底座背部涂抹硅胶后，用螺钉将底座固定木裙板侧面合适位置。
- 将毛巾环基座重新安装在底座上，并从下而上拧紧紧顶螺钉。
- 毛巾环开口处盖上塑料盖，安装到毛巾环基座上对应位置。

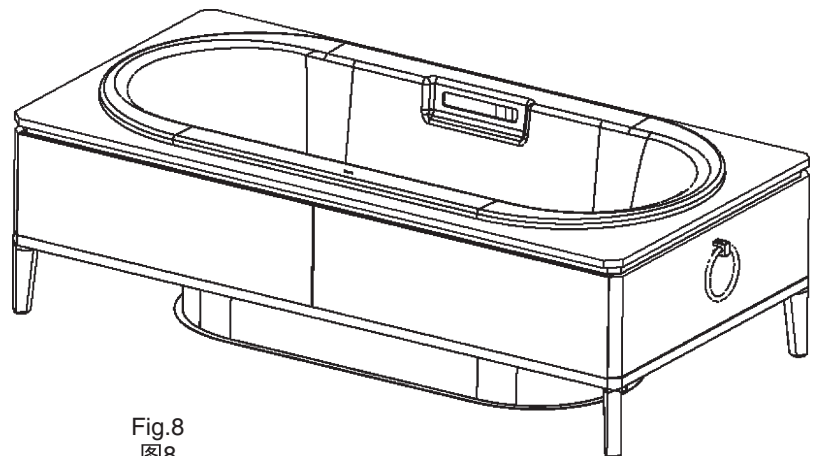
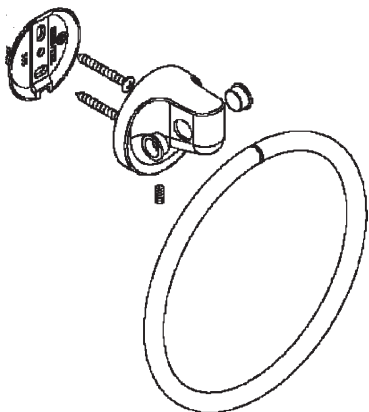


Fig.8
图8

USER MAINTENANCE

日常维护

Warning! Risk of product damage.

1. Many cleansers contain abrasive and chemical substance which is not suitable for cleaning stainless steel, enamel, plating or plastic products. You may use mild cleansers or soaps to clean the surfaces. Wipe any splashes of cleaner solutions from the surface with clean soft cloth.
2. Maintain ventilation in the bathroom, and separate the dry area from the damp one if conditions permit. Try to open the door and windows of the bathroom and maintain good ventilation.
3. Kohler wood apron are dealt with strict procedures for damp-proof, whose good damp-proof function ensures good performance even in bathroom of huge humidity. Yet do not splash and pour water directly on the wood apron. Make sure that the bathroom is not over damp and wipe any splashes from surfaces immediately.
4. Maintenance of wood apron: Clean and wipe wood apron regularly, and wipe the condensation vapor with dry and soft cloth.
5. Please do not sit, lean or step on the wood apron.
6. If any fixtures caused by abnormal reasons, Kohler China can supply paid replacement for service parts caused by abnormal reasons as shown in the Service Parts Page in the limited duration of warranty.

警告！小心产品受损。

1. 许多清洁剂都含有研磨剂及化学物质，不可用于清洁不锈钢、搪瓷、镀层或塑料制品。这些表面须使用温和的清洁剂或皂液进行清洁，将残余洗涤剂洗干净，然后用干净的软布擦干。
2. 卫生间请保持良好的通风状态，有条件的可以干、湿分离，平常尽量保持浴室空气畅通，养成开窗开门的习惯。
3. 科勒木裙板都经过严格的防潮处理，但防潮并不是防水，使用时不可随意任木裙板被水浇、溅。良好的防潮性能可以保证在高相对湿度时仍有良好使用性，所以请避免卫生间过于潮湿，遇有水迹要及时擦干。
4. 木裙板的保养：经常用软布定期清洁、擦拭，洗浴后的冷凝水蒸气应用干布擦净，保持门板的干爽。
5. 日常使用时，请勿坐、倚、靠、踩踏在木裙板上。
6. 科勒公司确保在担保期内，可以提供因非正常原因造成的如维修零件图中零件的有偿更换。